

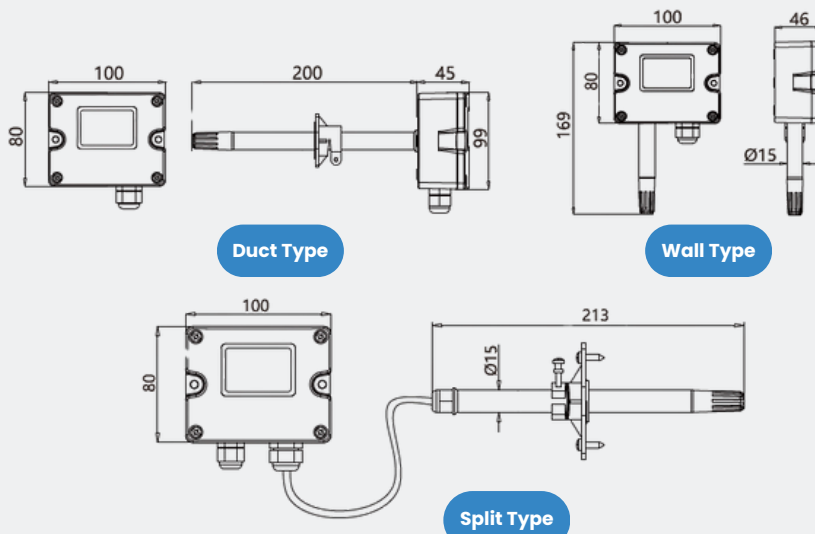
Overview

TxTHAC95 sensor features a high-precision digital -core with an integrated structure for strong anti interference. Factory-calibrated for accuracy, it's ideal for smart buildings, incubators, industrial dehumidifiers, and more

Features

- High Accuracy: $\pm 2\%$ RH humidity measurement.
- Reliable Performance: Imported high-precision digital core with strong anti-interference.
- Flexible Output: Optional passive temperature output.
- Certifications: CE, IP65, ROHS compliant.

Dimensions



TxTHAC95

High Accuracy Temperature & Humidity Sensor



Applications

- Smart Buildings
- Incubation Rooms
- Industrial Dehumidifiers .
- HVAC Systems
- Warehouses & Storage
- Agriculture & Greenhouses
- Cleanrooms & Laboratories

Specifications

High Accuracy Temperature & Humidity Sensor

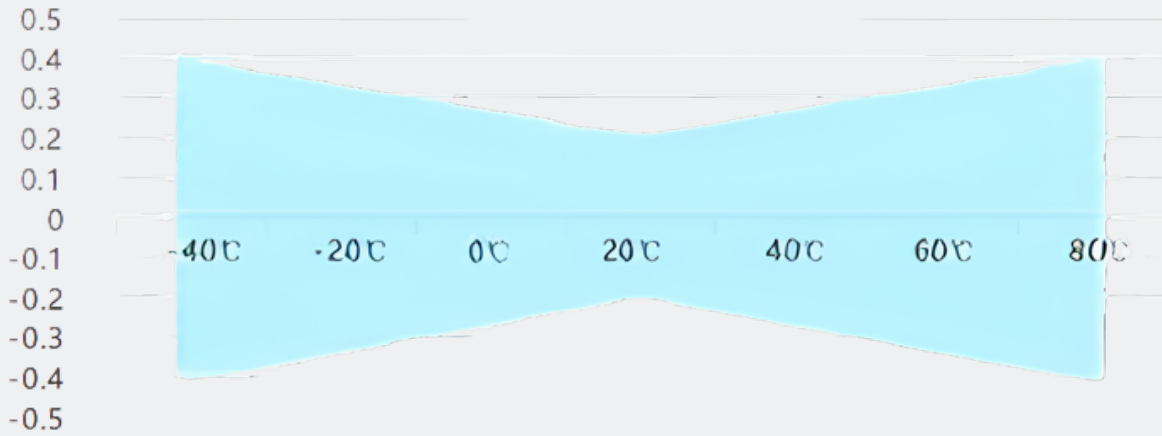
Relative humidity

Sensor	High-precision digital core
Range	0%~100%RH
Output	RS485/Modbus, 0~10VDC, 4~20mA optional
Accuracy	±2%@20°C&20~80%RH
Response time	< 1 0s(20°C. slow flow air)

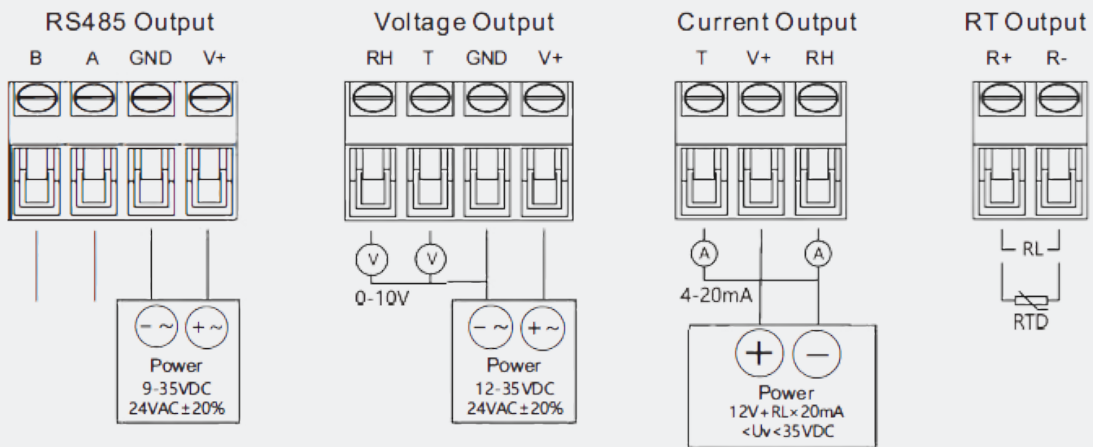
Temperature

Sensor	High-precision digital core or passive thermal resistance, see Order Ref No.
Range	0~50°C, -20~60°C etc.
Output	4~20mA, 0~10VDC, RS485/Modbus optional
Thermal Resistance	See Order Ref No.and Thermal Resistance Indexing Table
Accuracy	±0.2°C@20°C Passivity RTD: typical ±0.2-0.4 °C@25°C ,see Order Ref No.
Power Supply	RS485 type: 9~35VDC/24VAC±20% Voltage type: 12~35VDC/24VAC±20% Current type 12V+RL *20mA<UV<35VDC
Output Load	≤500Ω (Current type),≥10KΩ(Voltage type)
Display	LCD display optional, with unit display and backlight (4~20mA without backlight)
Shell Material	PC shell, PA6 probe rod and polymer filter
Working Environment	-20~60°C,5%-95%RH (Non-condensing)
Protection Level	IP65

Digital sensor temperature accuracy curve



WIRING INSTRUCTION



Selection Code:

Code and description		Remark		
TxTHAC95W	Wall-mounted temperature and humidity sensor	Model		
TxTHAC95D	Wall-mounted temperature and humidity sensor			
TxTHAC95S	Split type temperature and humidity sensor			
2	±2%RH(0.3°C)	Accuracy Range		
V10	0~10VDC(3-wire)	Humidity Output		
A	4~20mA(2-wire)			
RS	RS485/Modbus			
V10	0~10VDC(3-wire)	1	Pt100, ±0.2°C@0°C	Temperature Output
A	4~20mA(2-wire)	2	Pt1000, ±0.2°C@0°C	
RS	RS485/Modbus	3	NTC10K, ±0.4°C@25°C	
		4	NTC20K, ±0.4°C@25°C	
		1	NO	Temperature Range
		2	0~50°C	
		3	-20~60°C	
		9	Others (customerized)	
		1	No display	Display Mode
		2	LCD display	