



Overview:

The TxCO18 indoor carbon monoxide transmitter features a high-performance electrochemical sensor that accurately measures carbon monoxide levels in the environment, offering quick response times, stable performance, and high accuracy. It supports a wide power supply range and includes protection against overvoltage and reverse polarity. The device provides current, voltage, or RS485 output signals and has a configurable relay action point along with independent control and alarm functions.

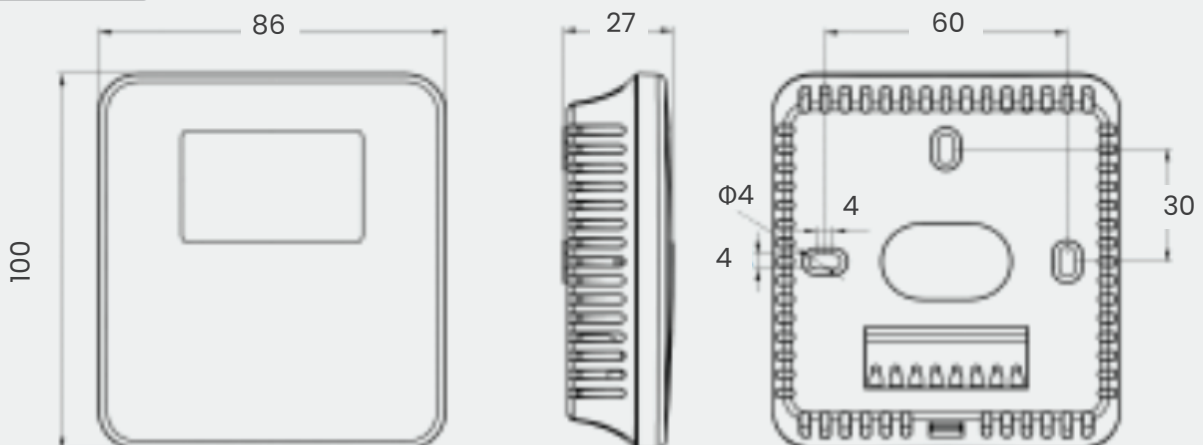
Feature:

- Rapid response time and stable performance
- High accuracy in detecting carbon monoxide levels
- Wide power supply range with overvoltage and reverse polarity protection control.
- Supports current, voltage, or RS485 output signals
- Configurable relay action point
- Independent control and alarm function

Feature:

It is ideal for use in HVAC systems, kitchens, restaurants, workshops, and underground parking lots.

Dimensions:



TxCO18

Indoor carbon monoxide transmitter





Specifications:

Output	See indication (4~20mA&0~10V / RS485 optional)		
Range	See indication (0~100ppm/0~250ppm/0~400ppm optional)		
Accuracy	±5%FS		
Sensor	Electrochemical sensor with a typical lifetime of 5 years		
Response time(T ₉₀)	≤60s	Preheat Time	2min
Power supply	15~36VAC±20%		
Relay	1xSPDT 3A/30VDC 3A/250VDC		
Relay set point	Dip switch selectable 25ppm, 60ppm, 150ppm, 300ppm		
Working Environment	0~50°C & 15 ~ 90%RH(non-condensing)(continued) -10~60°C & 0 ~ 95%RH(non-condensing)(Intermittent)		
Storage Temperature	-10~60°C(long term Storage:5~30°C(Within 6 month))		
Protection Degree	IP30		

note: When AC power is used for RS485 output products, isolated 24VAC power should be used!

Ordering information:

Code and description		Remark
TxCOI8	Indoor carbon monoxide transducer	Model
1	100ppm	Measuring Range
2	250ppm	
4	400ppm	
AV	4~20mA & 0~10V	Output
RS	RS485Modbus	
2	With Display	Display
1	Without Display	
2	1xSPDT	Relay
1	N/A	
TxCOI8 - 4 - AV - 1 - 2		Model