

Overview

The **TxTHE29** series temperature and humidity sensor is designed for industrial use, offering wall-mounted, pipeline, and split installation options. It supports current, voltage, and RS485 output modes, ensuring flexibility. With easy installation and strong adaptability, it is ideal for data centers, HVAC systems, buildings, greenhouses, farms, and other environments requiring precise monitoring.

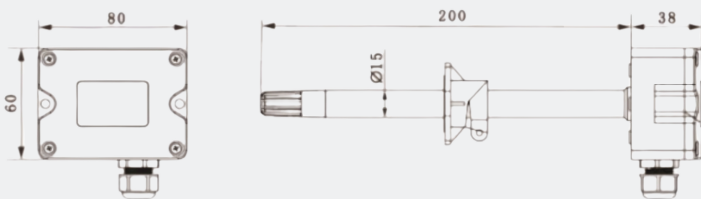
Features

- High-precision sensor and control.
- LCD backlight dual display.
- Overvoltage, reverse connection protection.
- IP65 protection level.
- Adjustable temperature range via code.
- 485 output configurable via code.

Applications

- Integration with PLC systems
- Use in dehumidifiers and high-standard air conditioning systems
- Supporting infrastructure projects
- Applications in metallurgical automation
- Utilization in painting equipment

Wall Mounted

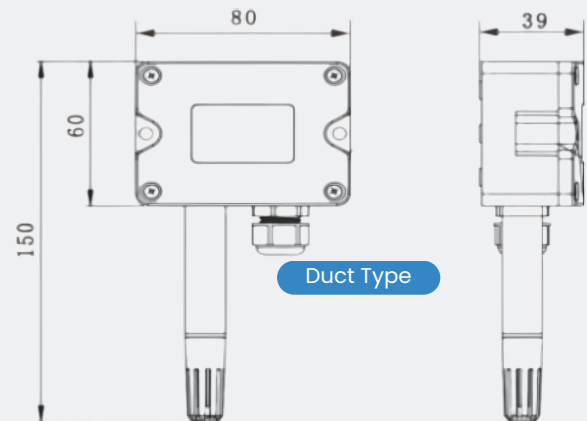


TxTHE29

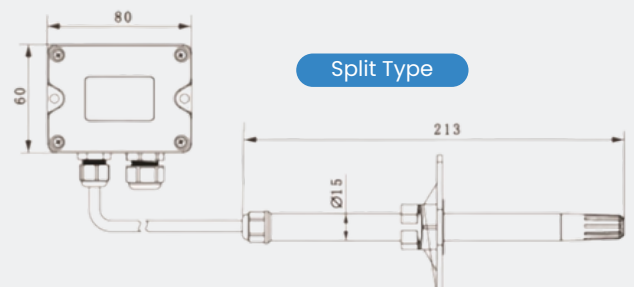
Economical Temperature & Humidity Sensor



Dimensions



Duct Type



Split Type

Specifications:

Economical Temperature&Humidity Sensor

Relative humidity

| | |
|---------------|-------------------------------|
| Sensor | Digital |
| Range | 0%~100%RH |
| Output | RS485/Modbus, 0~10VDC, 4~20mA |
| Accuracy | ±2%@ 25°C & 60%RH |
| Response time | ≤10s(20°C, slow flow air) |

Temperature

| | |
|---------------------|--|
| Sensor | Digital or thermal resistance |
| Range | 0~50°C, -20~60°C etc. |
| Output | 4~20mA, 0~10VDC, RS485/Modbus |
| Thermal Resistance | See Order Ref No. and Thermal Resistance Indexing Table |
| Accuracy | Digital:±0.3°C@0~60°C/Thermal resistance:±0.2~0.4°C@25°C |
| Power Supply | Voltage type /RS485 type :15~35VDC/24VAC±20%; Current type 19.5~35VDC (RL=500Ω) 9.5~35VDC (RL=0Ω) |
| Output Load | ≤250Ω(Current Type), ≥2KΩ(Voltage Type) |
| Display | LCD display optional, with unit display and backlight (4~20mA without backlight) |
| Shell Material | ABS housing, PC probe and high polymer filter |
| Working Environment | -20~60°C ,5%-95%RH (Non-condensing) |
| Protection Level | IP65 |

Selection Code:

| Code and description | | Remark |
|----------------------|--|--------------------|
| TxTHE29W | Wall-mounted temperature and humidity Sensor | Model |
| TxTHE29D | Duct type temperature and humidity Sensor | |
| TxTHE29S | Split type temperature and humidity Sensor | |
| 3 | ±3%RH(±0.5°C) | Accuracy Range |
| V10 | 0~10VDC(3-wire) | Humidity Output |
| A | 4~20mA(2-wire) | |
| RS | RS485/Modbus | |
| V10 | 0~10VDC(3-wire) | Temperature Output |
| A | 4~20mA(2-wire) | |
| RS | RS485/Modbus | |
| 1 | Pt100, ±0.2°C@0°C | |
| 2 | Pt1000, ±0.2°C@0°C | Temperature Range |
| 3 | NTC10K, ±0.4°C@25°C | |
| 4 | NTC20K, ±0.4°C@25°C | |
| 1 | NO | |
| 2 | 0~50°C | Display |
| 3 | -20~60°C | |
| 9 | Others (customized) | |
| 1 | without display | Display |
| 2 | with display | |

Despite all attempts to guarantee accuracy in this specification, NeoWave cannot be held liable for any damage injury, loss, or expense due to errors or omissions. Product specification and design might change without prior notice in pursuit of technical enhancements.

For technical support please contact: support@neowave.tech