



### OverView:

The NEOWAVE TxTH28N temperature and humidity transmitter, part of the TxTH28 series, is tailored for industrial applications. Offering three installation methods—wall-mounted, pipeline, and split—it provides optional current, voltage, and RS485 output modes. With strong on-site adaptability and a terminal design for swift installation, it finds applications in computer rooms, HVAC systems, buildings, storage facilities, vegetable greenhouses, farms, and other locations requiring temperature and humidity measurement.

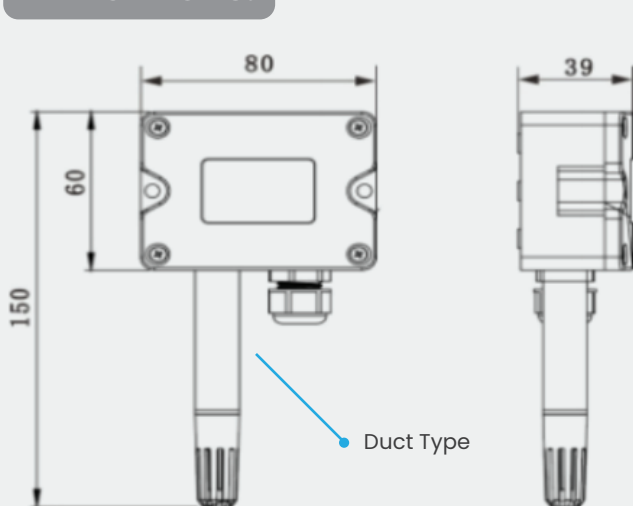
### Feature:

- High-precision sensor and control.
- LCD backlight dual display.
- Overvoltage, reverse connection protection.
- IP65 protection level.
- Adjustable temperature range via code.
- 485 output configurable via code.

### Application:

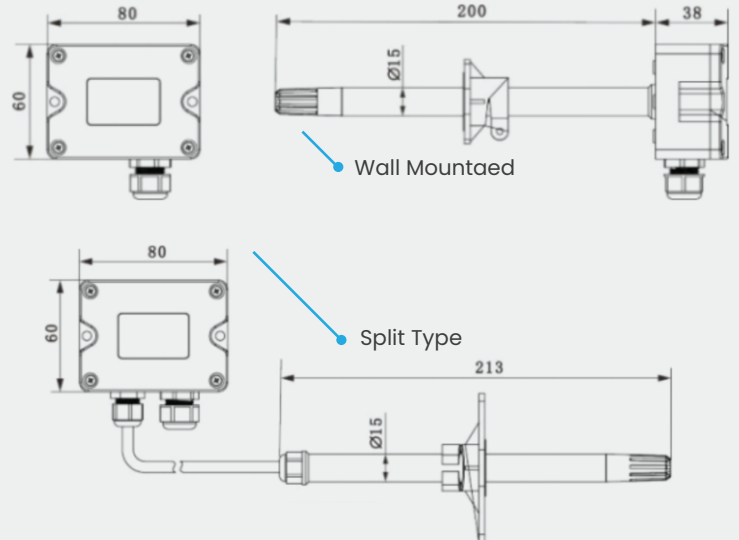
The NEOWAVE TxTH28N Temperature and Humidity transmitter, part of the TxTH28 series, finds applications in PLC, dehumidifiers, high-standard air conditioners, supporting infrastructure projects, metallurgical automation, and painting equipment.

### Dimentions:



### TxTH28N

### Temperature and Humidity Transmitter



**Specifications:**

Temperature and Humidity Transmitter TxTH28N

**Relative Humidity**

Sensor	Digital type
Measuring Range	0%~100%RH
Output	RS485/Modbus,0~10VDC,4~20mA optional
Response Time	≤10s(20 , slow flow air)
Accuracy	±2%@ 25 & 60%RH

**Temperature**

Sensor	Digital or thermal resistance
Measuring Range	0~50 , -20~60
Output	4~20mA, 0~10VDC, RS485/Modbus
Work Temperature	-20~60 ,5%~95%RH(non-condensing)
Thermal resistance	See Order Ref No. and Thermal Resistance Indexing Table
Output Load	≤250Ω(Current Type), ≥2KΩ(Voltage Type)
Accuracy	Digital:±0.3 @0~60 /Thermal resistance:±0.2~0.4 @25
Display	LCD display optional, with unit display and backlight(4~20mA output without backlight)
Display	Voltage type/RS485 type :15~35VDC/24VAC±20% Current type 19.5~35VDC (RL=500Ω) 9.5~35VDC (RL=0Ω)
Shell Material	ABS housing, PC probe and high polymer filter
Protection Grade	IP65



**Selection Code:**

Code and description		Remark
TxTH28NW	Wall-mounted temperature and humidity transmitter	Model
TxTH28ND	Duct type temperature and humidity transmitter	
TxTH28NS	Split type temperature and humidity transmitter	
3	±3%RH(0.3 )	Accuracy
V10	0~10VDC(Three-wired)	Humidity output
A	4~20mA(Two-wired)	
RS	RS485/Modbus	
V10	0~10VDC(Three-wired)	Temperature output
A	4~20mA(Two-wired)	
RS	RS485/Modbus	
1	PT100, ±0.2℃@0℃	
2	PT1000, ±0.2℃@0℃	
3	NTC10K, ±0.4℃@25℃	
4	NTC20K, ±0.4℃@25℃	
0	None	Temperature range
1	0~50	
2	-20~60	
9	Others (customer specified)	
1	without display	Display
2	with display	