



Overview:

The NeoWave DAM10 Actuator is designed for precise control of HVAC system dampers. It offers easy assembly with self-centering adapters, adjustable mechanical limits, and manual operation for convenience.

Feature:

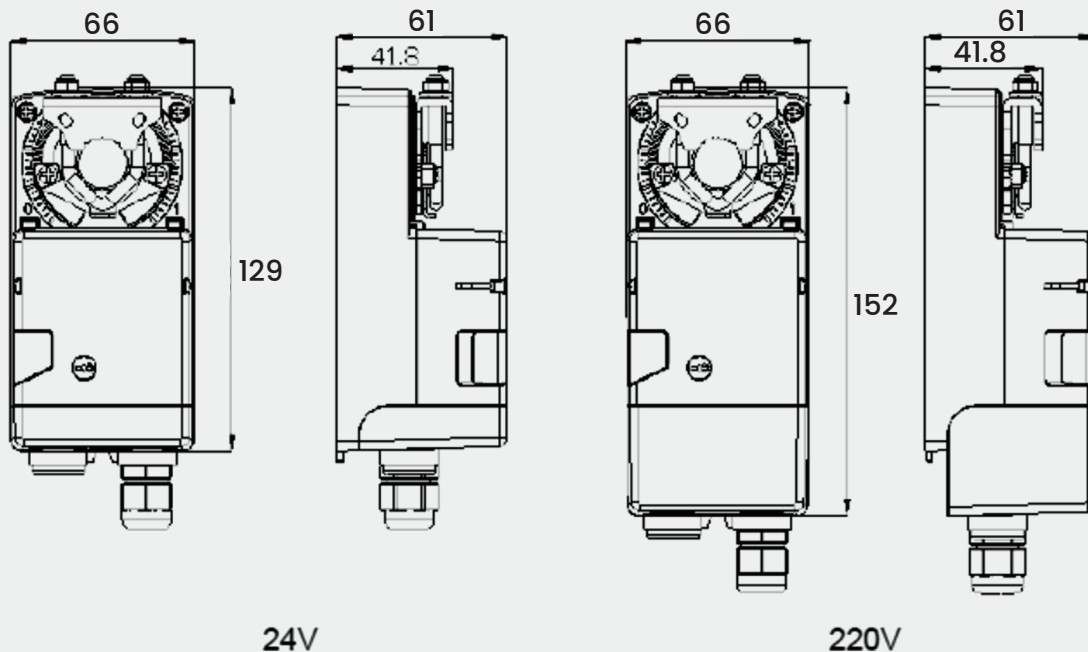
- Designed specifically for controlling dampers in various HVAC systems.
- Easy assembly with self-centering adapters, suitable for dampers of different shaft sizes.
- Adjustable mechanical limits for full stroke control.
- Freely adjustable mechanical position indicator for precise alignment.
- Manual operation button for adjustments during power loss or missing control signal.
- Multi-function knob allows selection of control signal, rotation direction, and shutdown status.
- Full stroke overload protection with automatic stop at the endpoint for high reliability.
- Removable terminal cover for easy installation and wiring.
- Industrial design ensures stable, reliable operation and long service life.
- External position switch allows adjustable setpoints and flexible wiring setup.

DAM10

Damper Actuator-10Nm



Dimensions:



Specifications:

MODEL	DAM10	
Specifications		
Torque	10 Nm	
Damper size	≤2 m2(see details in the manual)	
Direction of rotation	Set by knob	
Position indicator	Mechanical	
Manual override	Set by push button	
Angle of rotation	Max. 95°	
Running time	120s	
Connected shaft	Circular Ø8~17mm, square 5.8~12mm, min. length 43mm	
Control Signal	*on/off, 3 pos * 0~10V (input impedance 250kΩ) * 4~20 mA (input impedance 200Ω); RS485/Modbus	
Internal feedback	*0(2) ~10VDC (max. output 1mA) *4~20mA (max. load 500Ω)* RS485/Modbus-RTU	
Internal switch	2xSPDT, 0.5A/30VDC	
External position switch	1 or 2, SPDT, 0.5A/250VAC, must be ordered separately, see External Position Switch	
Electrical connection	Screw terminal	
Mode of operation	Type 1 to EN60730-1	
Work temp.	"-30~50°C", 95%RH, no cond. (EN60730-1)	
Storage temp.	"-40~80°C"	
Noise level	≤40dB	
Protection	IP54	
Weight	0.64kg (24V models)	
Approval	CE	

Power

Power Range	19.2~28.8V AC/DC	85~265V, 50/60Hz
Consumption	Act 1.5W, Hold 0.5W	Act 2.5W, Hold 0.8W
Protection	class III-low voltage safe	class II-totally insulated

Ordering information:

Code and description		Remark
DAM10	Damper Actuator, 10Nm	Model
1	24VAC/DC	Power
2	85~265VAC	
1	on/off, 3-pos	Control signal
V10	0(2) ~10VDC	
A	4~20mA	
RS	RS485/Modbus RTU	
1	N/A	Internal feedback
V10	0(2) ~10VDC	
A	4~20mA	
RS	RS485/Modbus RTU	
1	N/A	Internal switch
2	2xSPDT, 0.5A/30VDC	

When control signal is 1, feedback should be 1. If control signal is V10, feedback may be 1 or V10. If control signal is A, feedback may be 1 or A. If control signal is RS, feedback may be 1 or RS.

External Position Switch:

(must be ordered separately):

The external position switch can feedback the position status of the actuator. Suitable for field installation, can replace the function of the internal switch and can adjust the position set point freely.

MODEL	DAM10
Specifications For External Position Switch	
Model	SW1(1xSPDT,0.5A/250VAC); SW2(2xSPDT,0.5A/250VAC)
Work temp	-30~50°C, 0~95%RH, no cond. (EN60730-1)
Storage temp	-40~80°C
Power Protection	Class II-totally insulated
Enclosure Protection	IP54
Weight	0.12kg°



NEO WAVE®

Dimensions External Position Switch:

