



### Overview:

The "NEOWAVE TXADP12" micro differential pressure transmitter is our newest invention for measuring pressure differences. It can be easily adjusted in the field because of its multi-range sensor and a simple switch. It comes in a protective case and has a stainless steel connector for easy wiring. This device is great for many uses, like controlling heating and cooling, managing energy, and maintaining air quality in places like clean rooms, kitchens, and industrial facilities.

### Feature:

- High-Precision MEMS Micro-Pressure Core Body:**  
The product incorporates a cutting-edge MEMS micro-pressure core body, ensuring exceptional precision.
- Wide Temperature Compensation and Sensitive Pressure Response:**  
It features wide temperature compensation capabilities and a highly responsive pressure mechanism.
- Five Digit LCD Digital Display:**  
Equipped with a 5-digit LCD digital display, providing a clear and precise presentation of information.
- Field-Available Zero Button and Selectable Pressure Ranges:**  
Users can easily adjust settings in the field with the available zero button and choose from a range of selectable pressure ranges.
- Strong Stability and Long Service Life:**  
The product guarantees robust stability and an extended service life for reliable, long-term performance.
- IP65 Protection Grade Shell:**  
Housed in a protective shell with an IP65 protection grade, ensuring durability and functionality even in challenging conditions.

### Application:

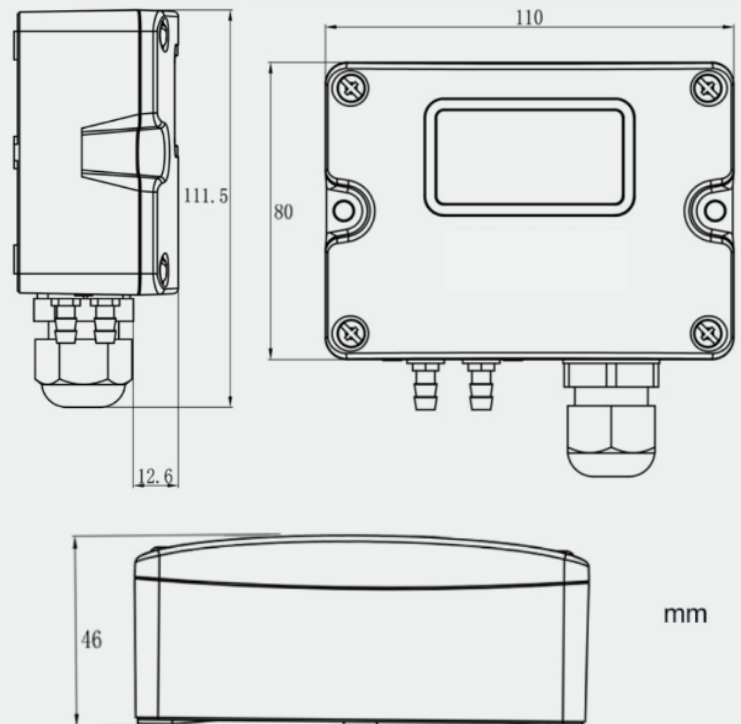
Measuring pressure in air and neutral gases through a bellows system for noise environmental protection projects.

### TXADP12

### Air Differential Pressure Transducer



### Dimensions:





NEOWAVE®

## Air Differential Pressure Transducer

NEOWAVE Air Differential Pressure Transmitter TXADP12

### TECHNICAL PARAMETER:

Medium	air or neutral gas			
Pressure Range	±100Pa, ±1,000Pa, ±10,000Pa			
Overpressure capacity	5KPa(TXADP122), 10KPa(TXADP124); 80KPa(TXADP126)			
Accuracy	±1%F.S			
Operating temperature	-20°C~70°C			
Compensation temperature	-10°C~60°C			
Storage temperature	-40°C~70°C			
Response time	0.5s/1s/2s/4s			
Protection Level	IP65			
Electrical connections	Two-wired	Three-wired	Four-wired	Six-wired
Output signal	4~20mA	0~5VDC/ 0~10VDC	RS-485	4~20mA/ 0~10VDC
Power supply	12~30 VDC	12~30VDC/24VAC±20%	9~30 VDC	12~30VDC/24VAC±20%
Power consumption	≤1.5W			
Pressure interface	Metal barbed interface, φ6.2mm			
Communication	RS-485 Standard interface, Modbus RTU protocol			
Certification	ROHS, EU, CE			
Electromagnetic compatibility	EN 61326-1			
Display	LCD backlit digital display			



**Order Informations:**

TXADP12	Code		Remark
	TXADP12		Model
	2	-100~100pa	Pressure range
	4	-1000~1000Pa	
	6	-10000~10000Pa	
	1	Without Display	Display mode
	2	Display	
	AV	20~4mA +10~0VDC (Simultaneous output)	Output type
	A	20~4mA (Two-wired)	
	V10	0~10VDC (Three-wired)	
V5	0~5VDC (Three-wired)		
RS	RS-485 communication		
RSW	RS-485 communication (with isolation)		