



OverView:

The NEOWAVE TxT02 temperature transmitter is tailored for industrial applications with robust design against lightning surge, electrostatic discharge, group pulse, and high withstand voltage. Offering versatile installation options, including wall-mounted, air duct/water pipe, split, and clamp, it supports three output modes: current, voltage, and thermal resistance. Featuring a strong on-site installation capability and a spring screw/terminal design for quick setup, it is ideal for temperature detection in various settings, including computer rooms, HVAC, buildings, and warehouses.

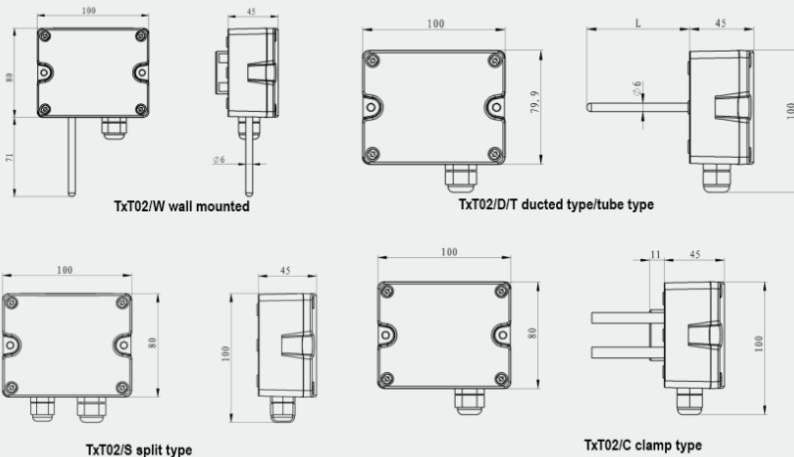
Feature:

- Multiple installation and output choices.
- Quick installation with industrial design.
- Imported Heraeus A-level sensor.
- High precision, fast response, low drift.
- Excellent anti-interference, protection functions.
- CE, RoHS, IP65 certified.

Application:

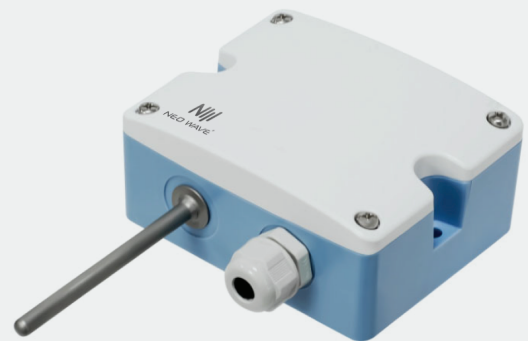
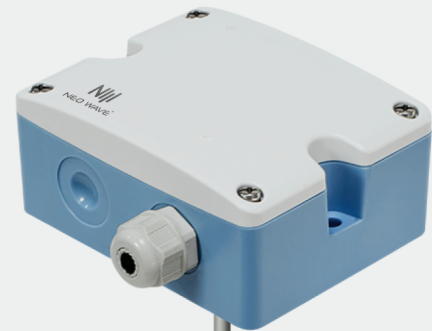
Temperature control system for servers, accumulators, workshops, warehouses, and animal breeding facilities.

Dimentions:



TxT02

temperature transmitter





Specifications:

Neo Wave Temperature Transmitter TxT02

Sensor	High-precision thermal resistance, see selection table (resistance output type) / PT1000, Class A (analog output type)	
Output	4~20mA or 0~10VDC, 0~5VDC	
Exactness	Typical 0.2~0.5°C@25°C, / ±0.2°C@25°C	
power	Voltage type:15~35VDC/24VAC±20%	Current type 18.5~35VDC (RL=500Ω) 8.5~35VDC (RL=0Ω)
Output load	(Analog output type): ≤500Ω (current type), ≥2KΩ(0~5V), ≥3KΩ(0~10V)	
Casing	PC housing, stainless steel probe (φ6mm), and casing	
Work situation	-40~70°C, 0~95%RH (non-condensing)	
Liquid prevent level	IP65	



Selection Code:

Model Select Table

Note: Accuracy of thermal resistance PT series is $\pm 0.2^{\circ}\text{C}@25^{\circ}\text{C}$, Exactness of NTC and Ni series is $\pm 0.4^{\circ}\text{C}@25^{\circ}\text{C}$

Code and Instruction		Remark
separated type	TxT02S	Model
Clamp type	TxT02C	
Wall-mounted	TxT02W	
Duct type	TxT02D	
Tube type/ water pipe type temperature transmitter	TxT02P	
V10	10~0VDC(3 wire)	Temperature output
A	20~4mA(2 wire)	
V5	5~0VDC(3 wire)	
1	PT0.2 \pm /1000 $^{\circ}\text{C}@25^{\circ}\text{C}$	
2	PT0.2 \pm , 100 $^{\circ}\text{C}@25^{\circ}\text{C}$	
3	NTC20K, $\pm 0.4^{\circ}\text{C}@25^{\circ}\text{C}$	
4	Ni 0.4 \pm , 1000 $^{\circ}\text{C}@25^{\circ}\text{C}$	
5	NTC10K-II, $\pm 0.4^{\circ}\text{C}@25^{\circ}\text{C}$	Temperature Range
6	NTC10K-III, $\pm 0.4^{\circ}\text{C}@25^{\circ}\text{C}$	
7	NTC10K-A, $\pm 0.4^{\circ}\text{C}@25^{\circ}\text{C}$	
0	none	
1	0~50 $^{\circ}\text{C}$	Probe Length
2	-20~60 $^{\circ}\text{C}$	
9	customized	
0	65MM	
1	100MM	Probe Length
2	200MM	
3	150MM	
9	customized	