



Features

- On/Off output
- Electrical Rating 250Vac
- Switching pressure to be adjusted easy on a scaled adjustment knob
- Static, over, underpressure and vacuum
- IP54 protection

Technical Data

Output	on/off
Max. Operating Pressure	5kPa
Medium	Air, non-combustible and no-aggressive gases
Operating temp. range	Max 85 C
Pressure connections	2 plastic pipe connection pieces(P1 and P2), external diameter 6.0mm; P1 for connection to higher pressure (marked +) P2 for connection to lower pressure(marked -)
Mounting position	Diaphragm in any vertical plane
Contact arrangement	SPDT
Tolerance	15%
Weight	140g
Electrical rating	
- Resistance	initial<400milliohms
- Current	1.5A (0.4A) /250 V
Protection	IP54
Approvals	CE

Can be delivered in 3 different alternatives

1. Only the pressure switch
2. The pressure switch separately packed and the duct fixing kit separately packed
3. The pressure switch and the duct fixing kit packed together in one small carton

Ordering

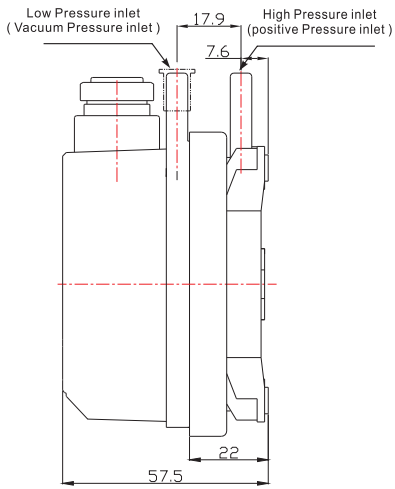
Type no.	Adjustment range	Switching differential
Air differential pressure switch		
DPS18-01	20-200 Pa	10 Pa
DPS18-03	40-400 Pa	20 Pa
DPS18-05	200-1000 Pa	100 Pa
DPS18-07	500-2500 Pa	150 Pa

Air differential pressure switch can be order with duct fixing kit (DFK 200), packed together into a carton

DFK 200	Duct fixing kit
---------	-----------------

- Notes:**
1. Using at field, the enclosure should not be took apart. Wire connecting and pressure set point adjusting must be operated by professional.
 2. When using at max ambient temperature, the temperature of the terminals might exceed 85°C but will not exceed 100°C, it will not effect the safety of using the switch.

Dimensions (mm)

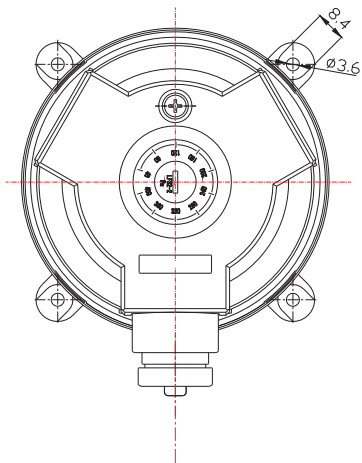


Options / Accessories

Duct fixing kit



The DFK 200 duct fixing kit includes:
2 Plastic tubes with integrated mounting plate
2 meter PVC hose and 4 screws



Electrical connection

