



Overview:

The DPS18 is a differential pressure switch that can detect even the slightest pressure variations, due to its small size and reliable design. Its set point or switching point can be adjusted in the field without the need for a manometer, using the adjustment knob and the integrated calibrated visual scale. Additionally, this switch comes with a clear cover that serves as protection against any potential damage.

Feature:

The DPS18 is a versatile adjustable differential pressure switch renowned for its precision and ease of adjustment in the field, featuring a clear cover for protection and IP54 rating. Primarily used in heating and ventilation, it excels in monitoring airflow with applications spanning from regulating fire protection flaps to providing frost protection for heat exchangers.

Application:

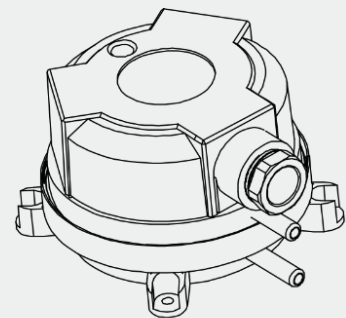
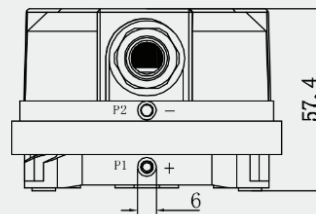
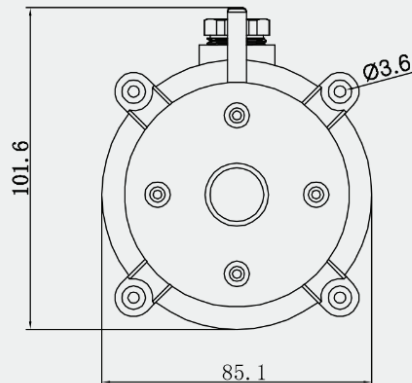
- chemical fiber, food, paper making, sugar, mining, metallurgy, water supply, and drainage, along with environmental protection.
- Widely used in hydraulic engineering, iron and steel industries, petroleum, pharmaceuticals, beer, wort, and various beverages.
- Suitable for measuring corn pulp, fiber pulp, syrup, lime milk, sewage, and cooling raw water.
- Applicable to drainage, saltwater, hydrogen peroxide, black liquor, and other conductive fluid media flows.

DPS18

Differential Pressure Switch



Dimensions:



**Specifications:****differential pressure switch**

Series No.	DPS18
Medium	Air, non-combustible and non-aggressive gasses
Max Operating Pressure	10 kPa
Mounting position	Diaphragm in any vertical plane
Degree of protection	IP54 (with cover)
Operating Temperature	-20° C to 85° C
Contact Arrangement	SPST or SPDT
Electrical Rating	Resistance: Initial: < 400 milliohms;
	1.5A(0.4A) @ 250V
Terminals	6.4 mm (0.25") copper alloy
Connection	6.0mmDia. for tube connection
Approval	UL, CE

Order Informations:

Model	Pressure Range (Pa)	Differential (Pa)	Tolerances
DPS18-01	20-200	10	< = ±15%
DPS18-02	30-300	10	
DPS18-03	40-400	20	
DPS18-04	50-500	20	
DPS18-05	200-1000	100	
DPS18-06	100-1000	50	
DPS18-07	500-2500	150	
DPS18-08	1000-5000	250	